

CE

Telair

AIR CONDITIONER



Silent 7400H

MANUAL FOR INSTALLATION AND
USER MANUAL

GB

ENGLISH

v.001 August 2015

Teläir

Via E. Majorana , 49 48022 Lugo (RA) ITALY

“CE” DECLARATION OF CONFORMITY

in compliance with EC Machine Directive 2006/42/EC

It is hereby declared that the air conditioner specified below has been designed and built in compliance with essential safety and health requisites as per the European Directive on Machine Safety.

This declaration is rendered null and void in the event of incorrect assembly, improper use or modifications made to the machine without our written approval.

Machine: AIR CONDITIONER

Model: SILENT 7400 H

Serial n°

Reference directive:

Machine Directive 2006/42/CE

Low Voltage Directive 2006/95/CE

Electromagnetic compatibility 2004/108/EC

Applied harmonised standards, especially: EN55014-1 ; EN55014-2 ; EN61000-3-2 ; EN61000-3-3 ; EN62233 ; IEC/EN 60335-1 ; IEC/EN 60335-2-40 ; 2009/19/CE ; DIN EN 378-2

DATE15/06/2015.....

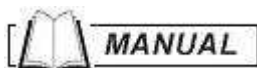
C.E.O.



CONTENTS

1 INTRODUCTION	4
1.1 Purpose and field of application of this manual	4
1.2 Key to symbols and definitions.....	4
1.3 General information	4
2 IDENTIFYING THE AIR CONDITIONER	5
2.1 Components (fig. 1)	5
2.2 ID label	5
2.3 Technical specifications	6
3 TRANSPORT, HANDLING, STORAGE	6
3.1 Storage.....	6
3.2 Weight	6
3.3 Handling	6
4 INSTALLATION	6
4.1 Preliminary information	6
4.2 Installation	7
4.2.1 Using the existing ventilation port	7
4.2.2 Opening a new hole.....	7
4.2.3 Power lead	8
4.3 Positioning the air conditioner	9
4.4 Connecting the power lead	10
4.5 Installing the diffuser	11
5 INSTRUCTIONS FOR USE	11
5.1 Introduction.....	11
5.2 Preliminary checks.....	12
5.3 Useful tips.....	12
5.4 Installing batteries in the Remote Control.....	12
5.5 Information on Remote Control use	12
5.6 Remote control key definitions/ functions	13
5.7 Remote control display (fig. 19)	13
5.8 Setting system time on remote control	14
5.9 Automatic operation mode	14
5.10 Cold operation mode	14
5.11 Heating operation mode	14
5.12 Diffuser Display	15
5.13 Cleaning the filters.....	15
5.14 Timer setting	15
5.15 Operation without remote control.....	15
6 SAFETY REGULATIONS	16
7 TROUBLESHOOTING	16
8 DISPOSAL	17
9 MAINTENANCE	17
9.1 Routine maintenance.....	17
GENERAL TERMS OF WARRANTY	18
WIRING DIAGRAM	19
SPARE PARTS LIST	20

1 INTRODUCTION



Always consult this manual carefully before carrying out any work on the conditioner.

1.1 Purpose and field of application of this manual

This manual has been drawn up by the manufacturer in order to provide all the information / instructions needed for proper, safe use and maintenance of the air conditioner.

The manual is an important part of the air conditioner: it must be stored safely and kept in good condition throughout the working life of the machine and protected from deterioration. It must accompany the air conditioner if re-installed on a new vehicle or sold.

The information contained in this manual is intended for air conditioner installers and all those involved in its use and maintenance.

The manual defines the purpose for which the conditioner has been built and contains all the information required for its safe, correct use.

Constant observance of the information it contains will ensure user safety, low running costs and a longer air conditioner life.

To make consultation easy the manual is divided into sections, each of which deals with a specific topic. To find information quickly refer to the table of contents.

Information of particular importance is highlighted in bold type and accompanied by information/warning symbols (see following key).

You are strongly advised to read the entire manual and the reference documents: this is the best way to ensure long-lasting performance, reliability and prevention of injury or damage.

Note: *the information contained in this publication was correct at the time of going to press. Information may be modified without prior notice.*

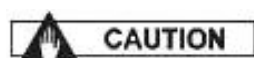
1.2 Key to symbols and definitions



DANGER Indicates risk of serious injury or death and that the utmost care must be taken.



WARNING Situation that might arise during the working life of a product, system or plant which could cause harm, injury, damage to property or environment or result in additional expenses.



CAUTION Indicates that it is necessary to proceed with due care and attention to prevent serious damage to material goods or resources such as the product itself.



INFORMATION Indicates important information.

Drawings are illustrative only. You may find that the illustrations differ from the machine in your possession: this does not in any way affect the validity of the general / safety information given in the manual.

As part of its product development and upgrade policy, the manufacturer reserves the right to make modifications without prior notice.

1.3 General information

The **SILENT 7400 H** air conditioner has been designed for installation on vehicle roofs. It runs on a 230 Vac 50 Hz **sinusoidal** power supply.



WARNING **Power supply voltage must never drop below 210 Vac and frequency must be stable at 50 Hz.**

Using the air conditioner at voltages other than those indicated could compromise its efficiency and damage the unit.

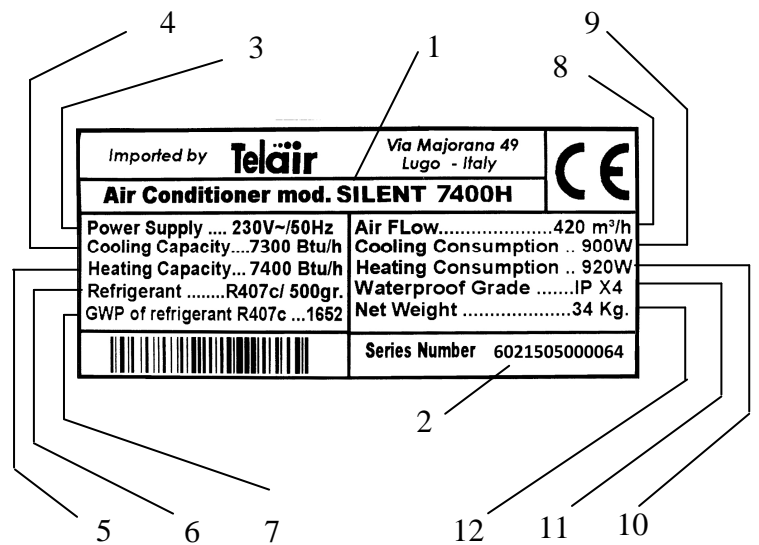
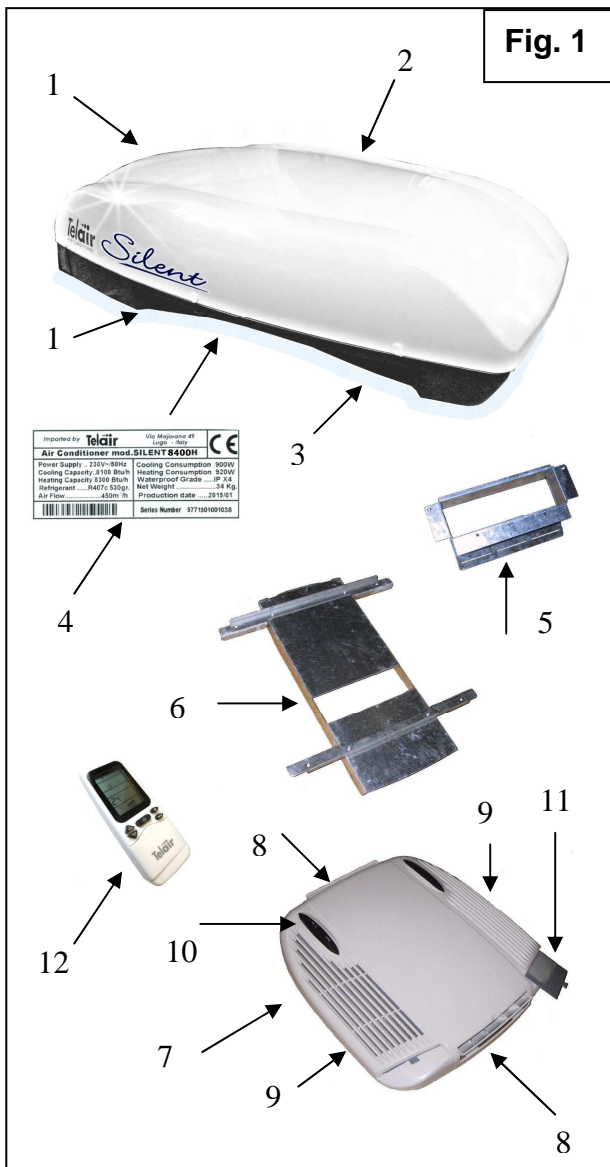
2 IDENTIFYING THE AIR CONDITIONER

2.1 Components (fig. 1)

- 1 Ventilation grille
- 2 Upper cover
- 3 Machine body
- 4 Technical specifications label
- 5 Connector duct
- 6 Air/conditioner block tunnel
- 7 Diffuser
- 8 Adjustable air outflow vents
- 9 Ambient air intake grille
- 10 Machine display
- 11 Removable air filter
- 12 Remote control

2.2 ID label

- 1 Model
- 2 Serial number
- 3 Type of electrical power
- 4 Cooling capacity
- 5 Heating capacity
- 6 Type and quantity of coolant gas
- 7 GWP refrigerant gas
- 8 Air flow rate
- 9 Absorbed power, cooling
- 10 Absorbed power, heating
- 11 Protection rating
- 12 Machine weight



WARNING
 The identification plate illustrated is an example only.
 Only the data shown on the actual conditioner identification plate is valid.

2.3 Technical specifications

SILENT 7400 H	
Power supply	230 V 50 Hz
Consumption	4.2 Ampere
Peak current	18 A (0.15 sec.)
Absorbed power, cooling	900 Watt
Absorbed power, heating	920 Watt
Cooling capacity	7500 Btu/h
Heating capacity	7700 Btu/h
Type and quantity of coolant gas	R 407c ... 500 gr.
N° of fan speeds	3
Air flow rate	420 m3/h
Waterproof rating	IP X4
Generator required	2200 W
Diffuser dimensions (H x L x W)	6.3x52.3x51 cm
Monobloc dimensions (H x L x W)	23.5x98x65 cm
Weight	34 Kg

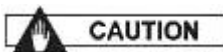


Some of the technical characteristics in this table may vary. Only the data shown on the actual conditioner identification plate is valid.

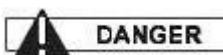
3 TRANSPORT, HANDLING, STORAGE

3.1 Storage

During transport the air conditioner is protected by its cardboard packaging. The conditioner must be stored indoors in a horizontal position in a dry, ventilated area. The type of packaging allows up to 5 (five) conditioners to be stacked on top of each other.



Do not turn the package upside-down. The right way up is indicated by the symbol on the packaging (↑↑).



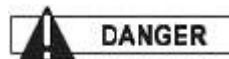
Stacking more than five packaged air conditioners can damage the conditioners themselves and put personnel at risk of injury.

3.2 Weight

Weight **SILENT 7400 H**, packaging excluded: 34 kg

3.3 Handling

Packaged air conditioners can be moved using standard means of lifting and transport. The packs have spacers for insertion of transpallet forks.



Always observe safety and accident prevention regulations when lifting and transporting. Use only lifting and transport gear of a load bearing capacity greater than the weight to be lifted.

4 INSTALLATION

4.1 Preliminary information



Before installing the conditioner you must read these instructions thoroughly to prevent errors.



Incorrect installation can irreparably damage the air conditioner and compromise user safety.

European Machine Directive 2006/42/EC states that the manufacturer cannot be held liable for poor air conditioner performance and/or safety should the air conditioner fail to be installed in observance of the information provided in this manual. Moreover, the manufacturer cannot be held liable for any resulting injury or damage.



Installation must only be carried out by qualified, specially trained personnel.

4.2 Installation

WARNING Before installing the unit all the following electrical connections on the vehicle must be disconnected.

- Positive battery lead.
- Generator (where applicable).
- Outdoor power socket.

DANGER Failure to observe the above can lead to power discharges.

DANGER Before climbing on top of the vehicle check that the roof is designed to be walked on. Check with the vehicle fitter. If it is not, a scaffolding-like framework will be required.

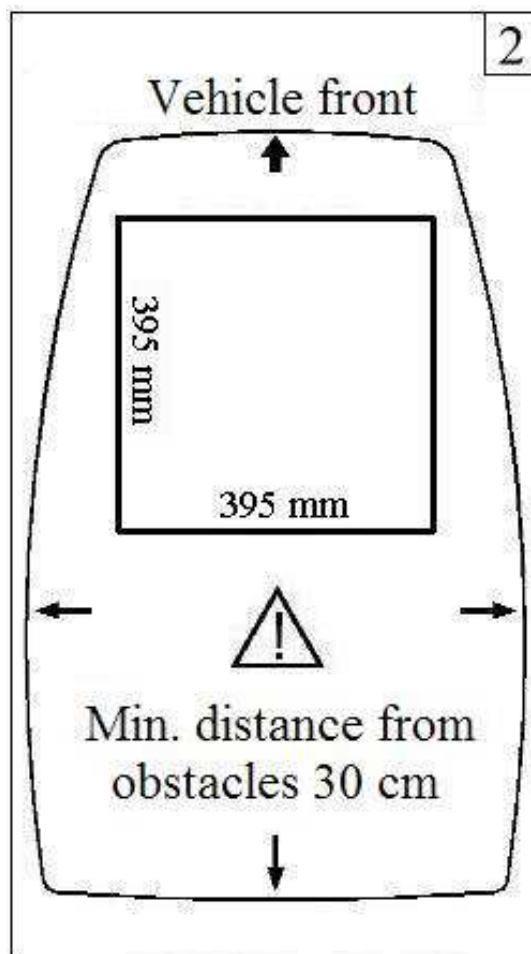
To ensure proper air conditioner installation it is essential that you first check whether the roof is able to support its weight; if it is not the roof must be reinforced. Select a fairly flat, horizontal, central area of the roof and check that there are no obstacles in the interior which might obstruct diffuser attachment (**fig. 1 ref. 7**) or the outflow of cool air from the adjustable vents (**fig. 1 ref. 8**).

The air conditioner may be installed in one of two different ways:

- by using a ventilation aperture already on the vehicle (ventilation port)
- by opening a new hole.

4.2.1 Using the existing ventilation port

This solution is practical as long as the port size is 395 x 395 mm (**fig. 2**).



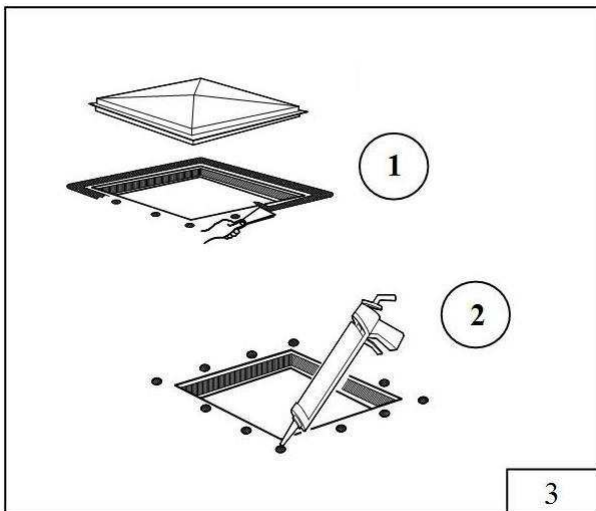
Proceed by removing the screws that fix the port to the roof and then removing the port itself.

Scrape off all the sealing material left around the rim of the opening (**fig. 3 ref. 1**) and putty screw holes and joints with silicon or other products available from specialised shops (**fig. 3 ref. 2**).

INFORMATION All waste materials (glue, silicon, seals) must be placed in special containers and taken to official waste disposal centres.

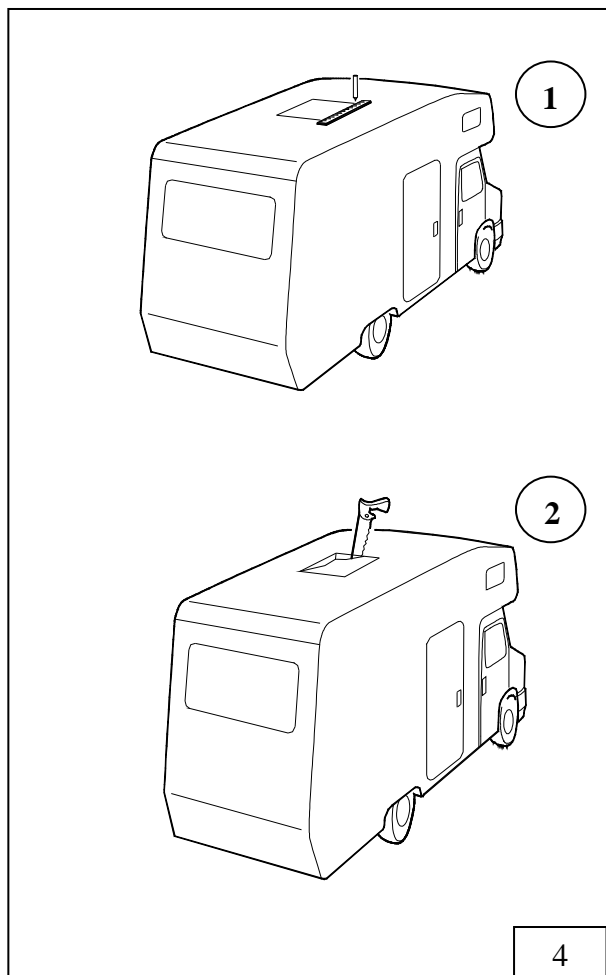
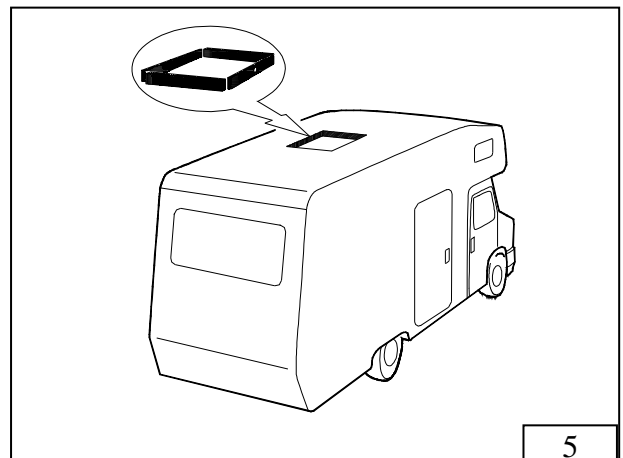
4.2.2 Opening a new hole

Choose a central area of the roof between two side members and trace the outline of a 395 mm square with a felt-tip pen (**fig.2**) and (**fig. 4 ref. 1**).



Cut the new opening in the roof carefully with a saw: be careful not to cut any electrical wires (**fig. 4 ref. 2**).

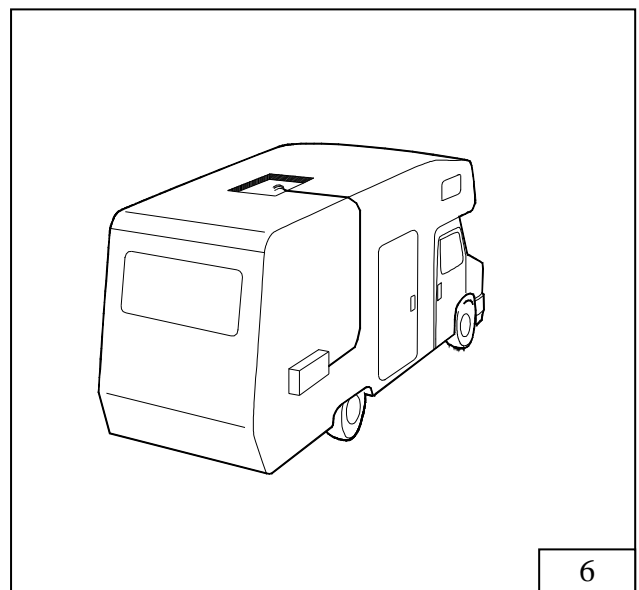
CAUTION Use protective gloves and goggles before using electrical tools or handsaws.

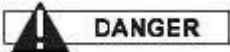


Fix a reinforcement frame around the opening (**fig. 5**).

4.2.3 Power lead

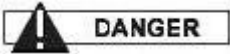
To power the air conditioner it is necessary to lay a 3-pole lead (phase-neutral-earth): each wire must have a **minimum cross-section of 2.5 mm²**. At one end the lead must be connected to a **thermomagnetic switch** inside the electrical distribution board of the vehicle; the other end must reach the aperture on the roof, protruding from the hole on the reinforcement frame by about 50 cm: this additional length makes it easier to connect up to the air conditioner (**fig. 6**).





DANGER Before making any electrical connections always make sure the power is disconnected inside the distribution board and that the wire ends are not live.

It is compulsory for the air conditioner to be powered via a separate line protected by a **10 A thermomagnetic switch**.



DANGER To ensure good insulation under all possible conditions electrical wiring must be properly sheathed.

4.3 Positioning the air conditioner

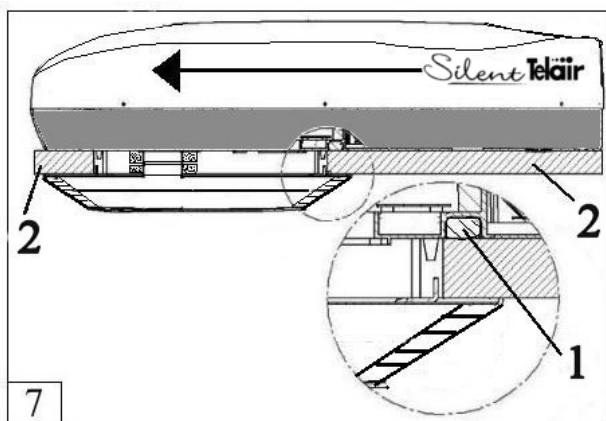


WARNING Before installation, check that the cylindrical section seal on the air conditioner base is still correctly positioned inside its special frame seat (Fig. 7 ref. 1).

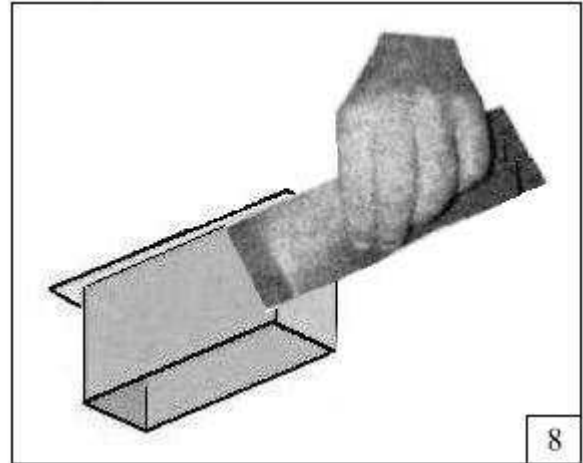
Before positioning the air conditioner on the vehicle roof it is necessary to lay a sufficient amount of slow-drying sealant around the rim of the aperture.

Bring the air conditioner onto the roof (fig. 7 ref. 2) and, **without scraping it**, position it over the 395 x 395 mm opening previously lined with sealant. Correct alignment of the air conditioner on the roof will provide a view - from inside the camper - of the 4 threaded fixing seats.

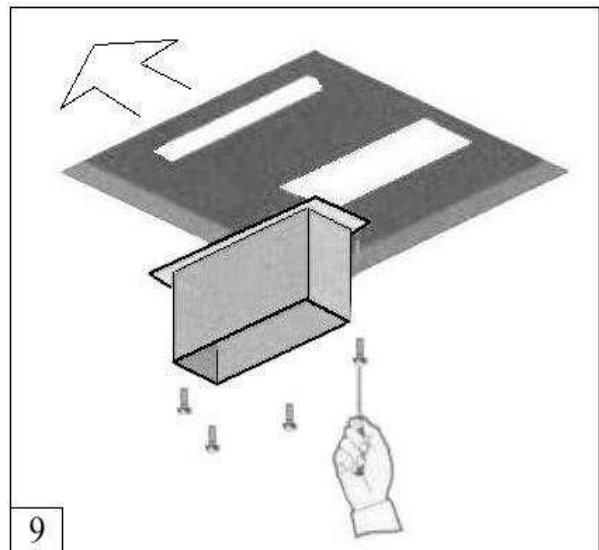
The arrow in fig. 7 indicates direction of forward drive.



aligned with the square 395 x 395 mm opening of the hole on the roof. Line the four external sides of the connecting duct with adhesive insulating tape so that it adheres to the folded fixing edge (fig. 8).

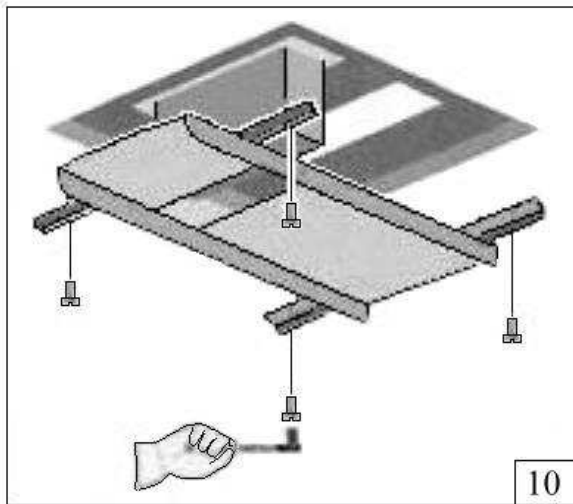


Working from inside the camper, insert the connection outlet at the base of the air conditioner; use the four supplied 12 mm long self-tapping screws to fix it. Align with the rectangular hole of the fan (Fig. 9). The arrow in figure 9 indicates the vehicle driving direction.



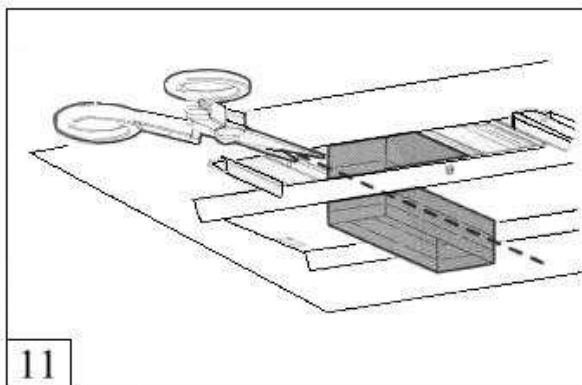
Fit the air/block tunnel with the supplied screws (fig. 10). It is important to attach the screws according to a **driving torque of 2 N m**, that is, **0.2 kgm**. You are advised to use a torque wrench.

Working from inside the vehicle, shift the air conditioner until the four fixing threads are

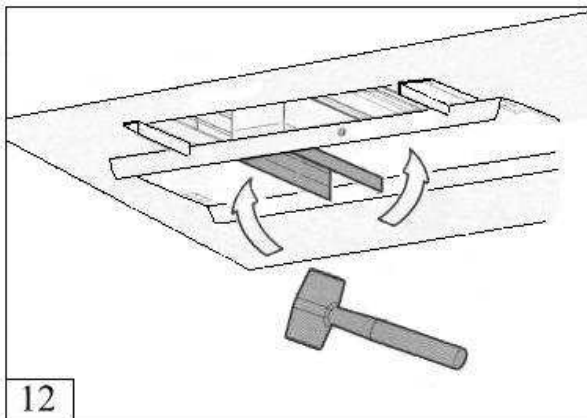


WARNING

Incorrect tightening can damage the support base of the air conditioner, compromise the seal and cause loud noise inside the vehicle when the conditioner is in operation.



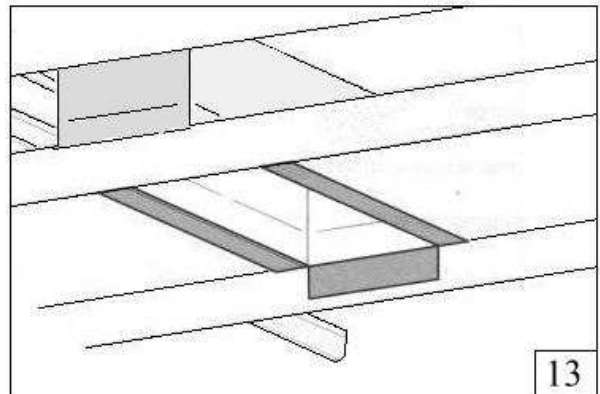
Cut the two sides of the connector duct (fig. 11) so that they do not protrude from the tunnel edge.



Fold the two long sides of the connector duct (fig. 12) so that they are horizontally in

contact with the horizontal surface of the tunnel.

The resulting connection is shown in Fig.13.



4.4 Connecting the power lead

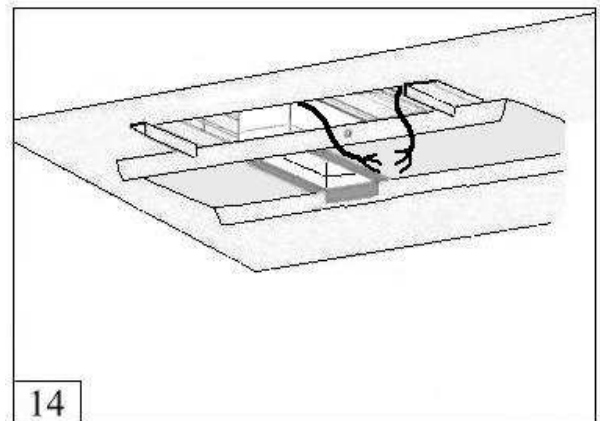
Connect the 230 Vac power lead to the one on the just-installed conditioner (fig. 14).

Observe the wire colours:

blue wire: neutral

brown wire: phase

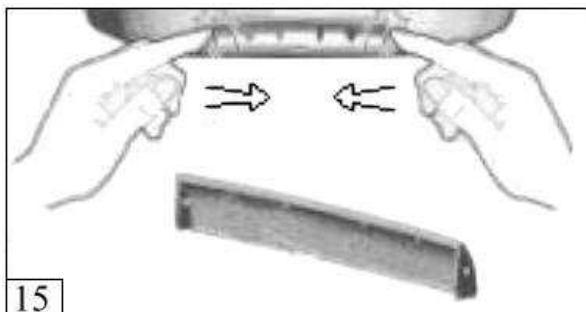
yellow-green wire: earth (\perp)



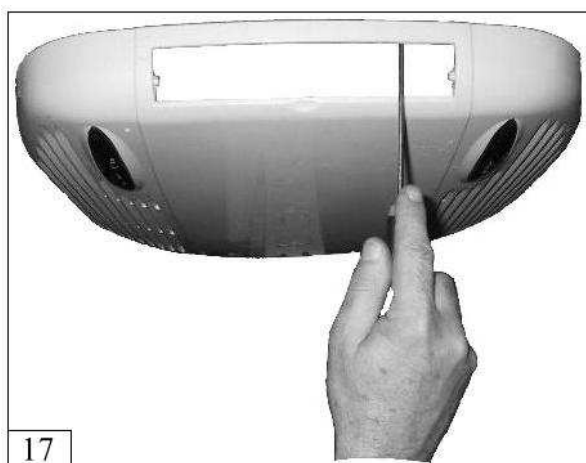
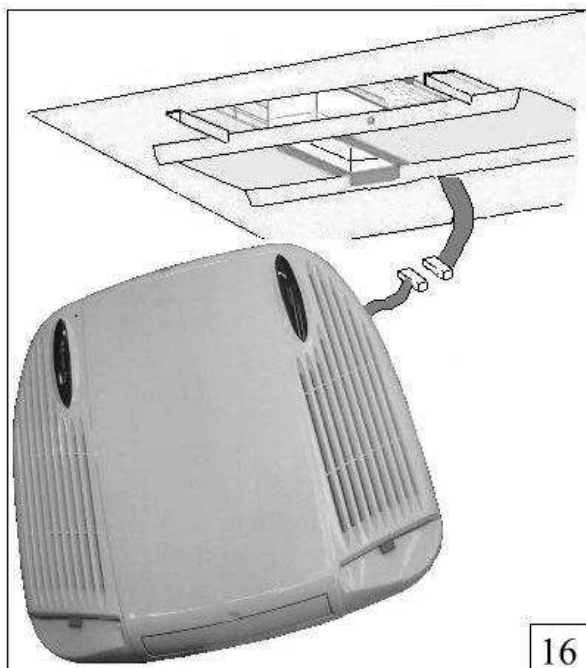
Check that the power lead is not excessively long as it could obstruct the intake grilles.

4.5 Installing the diffuser

Remove the two adjustable airflow director fins from the diffuser (fig. 15)



Connect up the panel coupling (Fig. 16) and fasten the diffuser with the 4 self-tapping screws L. 25 mm (fig. 17)



Then re-insert the two airflow director fins.

5 INSTRUCTIONS FOR USE

5.1 Introduction

INFORMATION *The manufacturer cannot be held liable for damage caused by improper use of the air conditioner.*

The **SILENT 7400H** air conditioner consists of nine main parts:

- **compressor**, which circulates the coolant gas through the system.
- **condenser**, which cools the coolant by changing it from a gaseous to a liquid state.
- **evaporator**, which, cooled by the change of state of the coolant, cools the air passing through it.
- **fans**, which move the air so that it passes through the condenser and evaporator
- **solenoid valve**, which switches gas circulation and so provides a cooling or heating function
- **remote control** to program the desired function
- **receiver**, situated in the diffuser, which receives the remote control signals
- **electronic board**, which receives the signals from the receiver and transforms them into commands for the various electrical components of the air conditioner.

The **SILENT 7400H** provides cold air during the summer months and hot air in winter.

If the vehicle has been left in the sun for some time it is good practice to open windows and doors before starting the conditioner so as to release the build up of heat in the interior; once indoor temperature matches outdoor temperature close the windows and doors and start the air conditioner. Subsequently, only open doors and windows when necessary.

5.2 Preliminary checks

Before switching on the air conditioner for the very first time:

- Check that condensate drainage holes are unobstructed.
- Check that power voltage and frequency are as indicated in the previous section.
- Check that air flow through relative ducts and vents is unobstructed. To ensure maximum efficiency always keep external ventilation grilles clear.

INFORMATION

When the equipment is started for the first time with the remote control, the fan and compressor will also start within a few seconds. After a power-off, upon the next power-on the compressor will only start after at least 3 minutes from the power-off.

5.3 Useful tips

- Enhance the thermal insulation of the camper by eliminating any fissures and covering glass surfaces with heat-reflecting curtains.
- Avoid frequent opening/closing of windows unless necessary.
- Select a suitable temperature and airflow rate.
- Adjust the outflow vents to maximise comfort.
- Never close both adjustable vents when the conditioner is running.
- Wait at least 2 minutes between switching off and switching on so as not to damage the compressor.
- Clean the diffuser filters periodically; wash them with a detergent solution and dry them thoroughly before refitting them.
- Do not obstruct airflow inlets/outlets with fabric, paper or anything else.
- Do not spray water inside the air conditioner.
- Remove the remote control battery if you do not intend to use the conditioner for a long period.
- Periodically check that the condensate drain holes are not obstructed.
- Periodically check that external intakes grilles are clean so as to maintain maximum air conditioner efficiency.

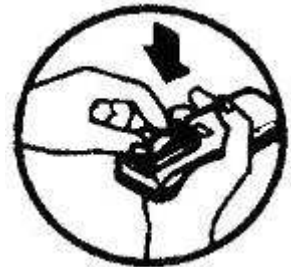
- Clean the air conditioner with detergent solutions only; never use petrol or solvents.
- If the vehicle is garaged for the winter disconnect the air conditioner from the power socket.

5.4 Installing batteries in the Remote Control

1. Remove the cover by sliding it in the direction indicated by the arrow.



2. Insert two new 1.5 V AAA batteries: observe polarity (+ and -).



3. Replace the cover.

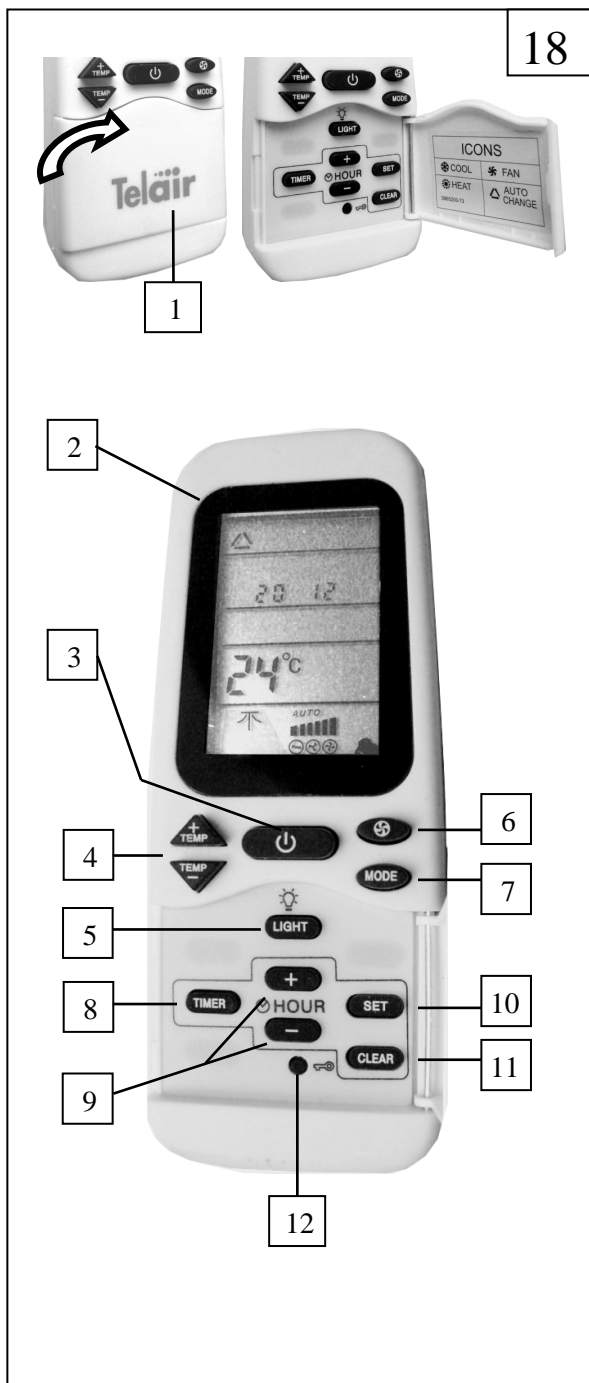


5.5 Information on Remote Control use

- Point the remote control towards the internal unit of the conditioner.
- There must be no obstructions between the remote control and the internal unit.
- Do not drop or throw the remote control.
- Do not expose the remote control to direct sunlight or leave it near heating systems or other sources of heat.
- Use two AAA batteries.
- If you do not intend to use the remote control for some time, remove the batteries.

- When the control reception sound signal is no longer audible in the indoor unit, or when the transmission symbol on the display screen is no longer clearly visible, the batteries need replacing.
- If the remote control unit resets when a key is pressed, battery power is too low: the batteries need replacing.

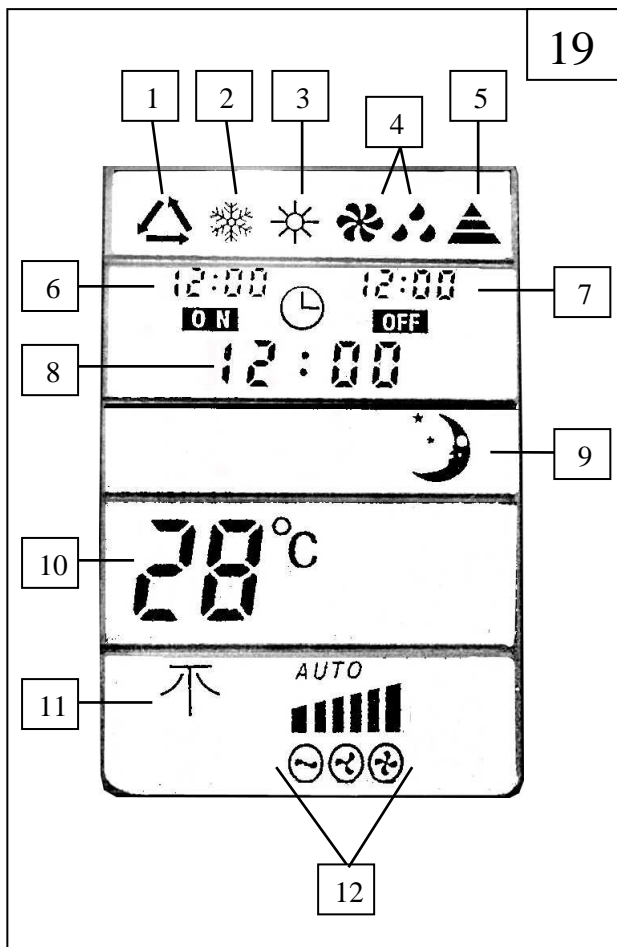
5.6 Remote control key definitions/ functions



- 1 - Secondary keys access flap
- 2 - **Display** (see Fig. 19)
- 3 - **On/Off** control to start/stop the air conditioner.
- 4 - **+TEMP** and **-TEMP** to set the required temperature between 16 and 31 °C.
- 5 - **LIGHT** key (not used)
- 6 - **FAN** enables to select one of three available speed settings, or it can be left to the conditioner to select the most suitable setting.
- 7 - **MODE** enables to select the Automatic, Cold or Hot operation mode.
- 8 - **TIMER** enables to activate the timer function and set the air conditioner start and stop times
- 9 - **+HOUR** and **-HOUR** to set the remote control time and timer function start and stop times.
- 10 - **SET** to access the remote control time adjustment mode or validate the timer function start and stop times.
- 11 - **CLEAR** deletes the timer function programming.
- 12 - **RESET** to control a remote control total reset (hidden button to press with a small sharp object).

5.7 Remote control display (fig. 19)

1. Automatic mode
2. Cold operation mode
3. Hot operation mode
4. Function not supported
5. Data transmission indicator
6. Timer: start time (only visible if the timer has been activated)
7. Timer: stop time (only visible if the timer has been activated)
8. System time
9. Function not supported (light)
10. Set temperature
11. Function not supported
12. Set ventilation speed indicator (if the AUTO message is displayed, speed is automatically managed by the air conditioner)



5.8 Setting system time on remote control

After inserting the batteries, set the system time on your remote control:

- Press and hold down the **SET** key on your remote control until the system time digits start flashing
- By using the **+HOUR** and **-HOUR** keys, set your system time
- Press the **SET** key once again

5.9 Automatic operation mode

- 1) Press the **On/Off** key
- 2) Press the **MODE** key repeatedly until the display shows the **Automatic** mode symbol
- 3) Set your required temperature with the keys **+TEMP** and **-TEMP**
- 4) Press the **FAN** key several times until you reach your required ventilation setting.

5.10 Cold operation mode

- 1) Press the **On/Off** key
- 2) Press the **MODE** key repeatedly until the display shows the **COLD** mode symbol.
- 3) Set your required temperature with the keys **+TEMP** and **-TEMP**.
- 4) Press the **FAN** key several times until you reach your required ventilation setting.

5.11 Heating operation mode

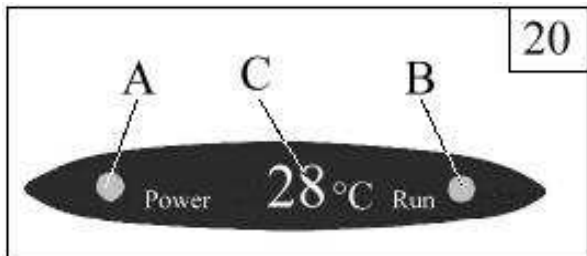
- 1) Press the **On/Off** key
- 2) Press the **MODE** key several times until the display shows the **HOT** mode symbol.
- 3) Set your required temperature with the keys **+TEMP** and **-TEMP**.
- 4) Press the **FAN** key several times until you reach your required ventilation setting.

INFORMATION *In Heating mode the air conditioner is effective with outside temperatures down to -2°C, while below this value, delivery efficiency is considerably reduced.*

INFORMATION *If the air conditioner is turned off during the heating mode, the fan will remain in operation for a few minutes in order to dissipate the heat accumulated inside the air conditioner, before stopping automatically.*

5.12 Diffuser Display

The diffuser has a display which also incorporates the remote control IR receiver.



When the **red Power** light (Fig. 20 ref. A) is lit on the display the air conditioner is powered off 230 Vac line power.

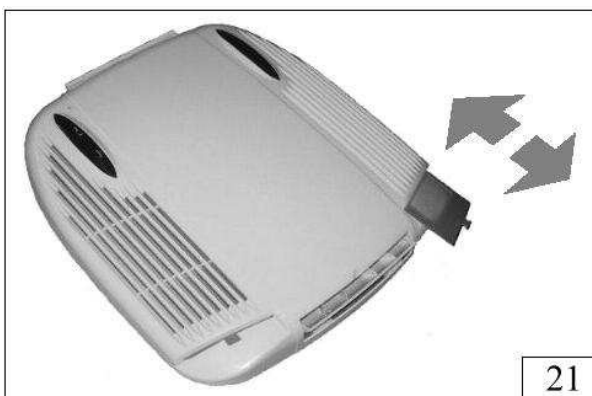
When the **green Run** light (Fig. 20 ref. B) is lit, the air conditioner is working in **Cold** mode; if the **red Run** light is lit, the air conditioner is working in **Heating** mode.

The two figures (Fig. 20 ref. C) normally refer to the ambient temperature measured by the air conditioner inside the camper.

During the required temperature setting procedure with the remote control, the display unit will show the currently selected temperature; after approximately 30 seconds from the end of the selection procedure, the display will show the camper indoor temperature again.

5.13 Cleaning the filters

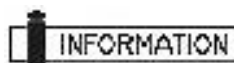
Periodically clean both diffuser filters: wash with a neutral detergent only and dry them thoroughly before putting them back in their seats (fig. 21).



5.14 Timer setting

- Press the **TIMER** key on the remote control: the start time **ON** indicator is activated
- By using the **+HOUR** and **-HOUR** keys, set the start time
- Press the **TIMER** key once again: the stop time **OFF** indicator is activated
- By using the **+HOUR** and **-HOUR** keys, set the stop time
- Press the **TIMER** key once again
- After completing the setting operations, press the **SET** key

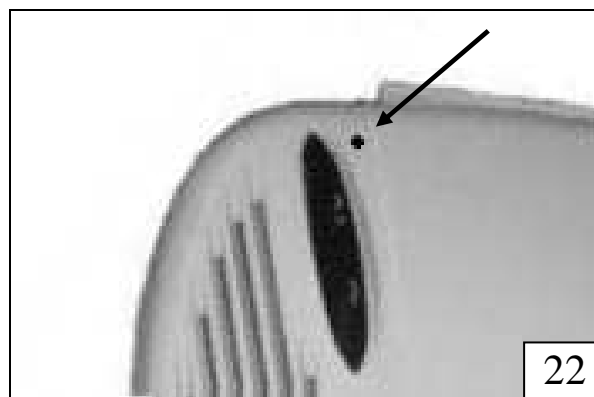
To delete timer programming press the **CLEAR** key



INFORMATION *The start and stop times are programmable in 10 minutes' steps.*

5.15 Operation without remote control

If the remote control is lost or not working, it is still possible to use the air conditioner by delicately pressing with a sharp object the small Reset key hidden inside the slot next to the display (Fig. 22).



By pressing the key, the air conditioner is started in the automatic mode, automatic fan mode, temperature setting 24 °C.

6 SAFETY REGULATIONS

- Always use properly earthed power sockets with differential safety switches.
- Never use the air conditioner near flammable liquids.
- Do not use the air conditioner for purposes other than those stated by the manufacturer.
- Do not modify or tamper with any parts of the air conditioner.
- Use only original spare parts.
- Maintenance and repairs must only be carried out by specialised personnel.
- Installation must be carried out by qualified personnel.
- Keep children/animals away from the air conditioner unit.
- Do not insert hands/fingers in ventilation grilles/vents.
- Do not insert objects into ventilation intakes.
- If the air conditioner receives any hard knocks have it checked by specialised personnel before using it again.
- In the event of fire never open the upper cover of the conditioner: use homologated fire extinguishers.
- Do not attempt to put out a fire with water.

7 TROUBLESHOOTING

In the majority of cases poor air conditioner performance is caused by incorrect use as opposed to actual malfunctions. For example:

- The unit is too small for the volume of air you wish to condition.
- The vehicle is poorly insulated.
- The doors are opened too frequently.
- There are too many people inside the vehicle.
- Power supply voltage is less than 230 V.

The following is a list of the most common problems with corresponding causes and solutions.

INFORMATION

In the event of air conditioner malfunctioning, before carrying out any conditioner servicing check::

- the power supply is never less than 205 V.
- that intake vents are unobstructed.
- that air outflow vents are open.

1) **The air conditioner does not start:**

- check that the remote control batteries are charged properly.
- Check that the system is electrically live by connecting another household appliance or using a voltmeter

2) **Air outflow is insufficient:**

- check that the directional vents are open enough
- check that the diffuser filters are clean enough

3) **Air conditioning (cooling) is not working:**

- check that temperature setting is lower than actual in-camper temperature.

4) **Heating is not working:**

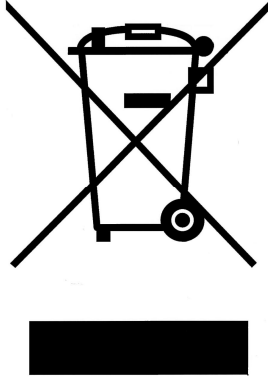
- check that temperature setting is higher than actual in-camper temperature.

5) **Air conditioner efficiency is poor**

- if the air conditioner is working inefficiently it is necessary to clean the air filter, condenser and evaporator using specific detergents. It is always advisable to clean the air conditioner when it has remained idle for a long period.
- if, after cleaning the exchangers, the air conditioner still fails to return to its initial level of efficiency, then the coolant gas load must be checked.

8 DISPOSAL

Always contact specialised workshops when it is necessary to dismantle and dispose of the air conditioner.



- All traces of oxidation must be removed and metallic parts coated with a suitable paint.
- Check that wiring insulation is in good condition and eliminate any traces of moisture.
- Check that all screws are properly tightened.

INFORMATION

Waste materials must not be dispersed into the environment: always take them to authorised waste collection centres

9 MAINTENANCE

9.1 Routine maintenance

All tasks requiring removal of air conditioner covers must – as with installation - be carried out by expert personnel

DANGER

Before carrying out any work on the air conditioner it is essential that you disconnect the 230 V power supply and wait for all its component parts to cool down.

- Remove the external cover and spray a suitable detergent onto the heat exchangers (evaporator and condenser) and then rinse to remove impurities. Check that the condensate drain holes are unobstructed.
- Check that the seals are in good condition and there is no infiltration of water into the vehicle.

GENERAL TERMS OF WARRANTY

TELAIR guarantees its products against any construction material and/or manufacturing faults and defects.

The right to warranty cover for new products is valid for a period of 24 months from the time of handing over to the end user, or for a maximum of 1000 operating hours, whichever limit is reached first. In all cases the warranty period shall end no later than 26 months (28 months if delivered outside of Europe) after ex factory delivery.

For electric and hydraulic components, pipes, belts, sealing elements, injection nozzles, clutches, drives, the warranty term is 12 months from the time of handing over to the end user, or a maximum of 1000 operating hours, whichever limit is reached first. In all cases the warranty period shall end no later than 14 months (16 months if delivered outside of Europe) after ex factory delivery.

In any case, the costs of lubricants and consumables shall be charged. Any transport expenses shall have to be covered by the purchaser; the same applies to any expenses connected with inspections requested by the customer and accepted by **TELAIR**.

The manufacturer's warranty shall only be valid if:

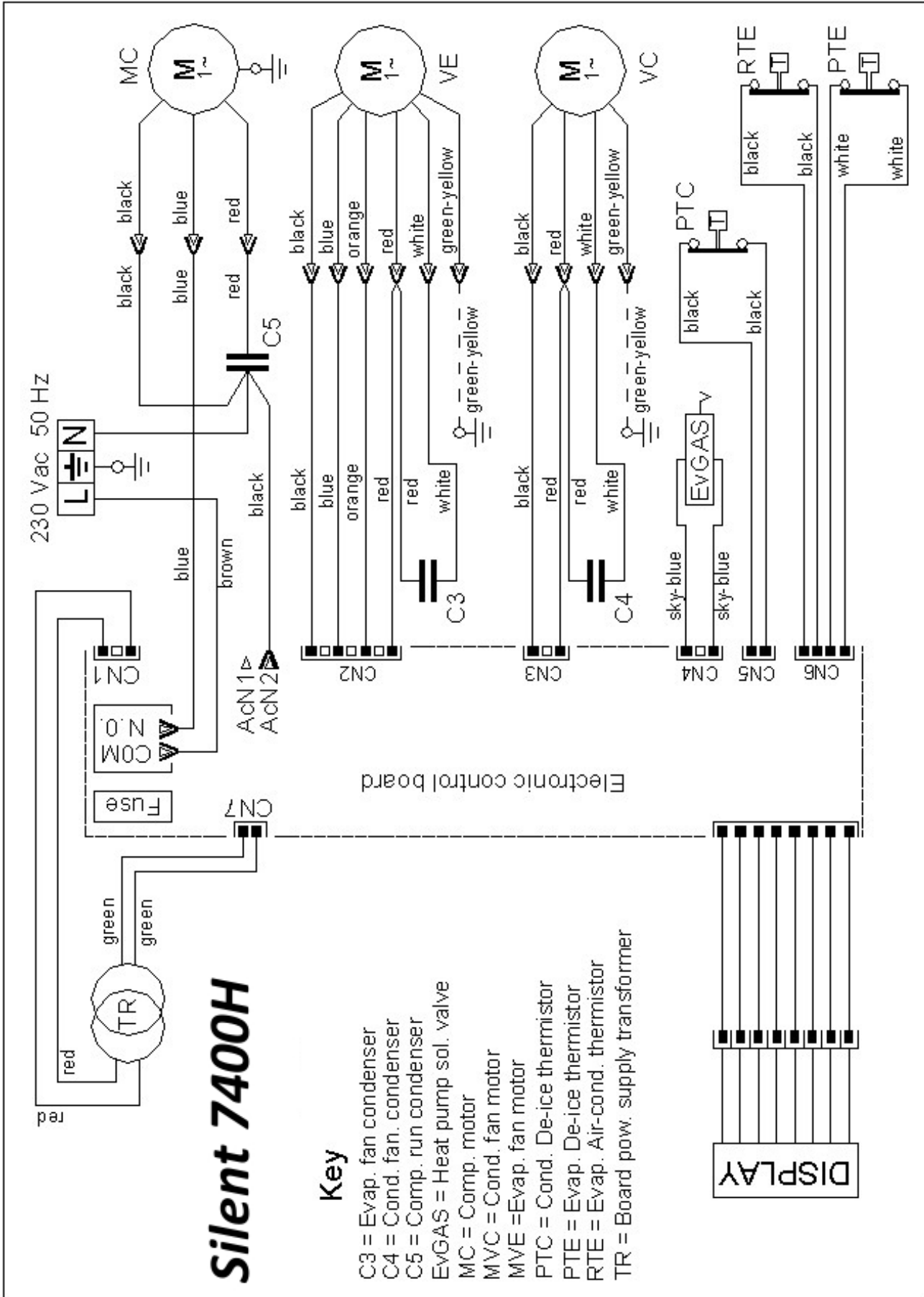
- the customer has carried out all routine maintenance according to the recommended schedule and has promptly visited the nearest after-sale centre if required.
- the customer can produce a document showing the date of sale (invoice or receipt).

Such document will have to be kept with care and be intact when produced to the **TELAIR** After-Sales centre on requesting service.

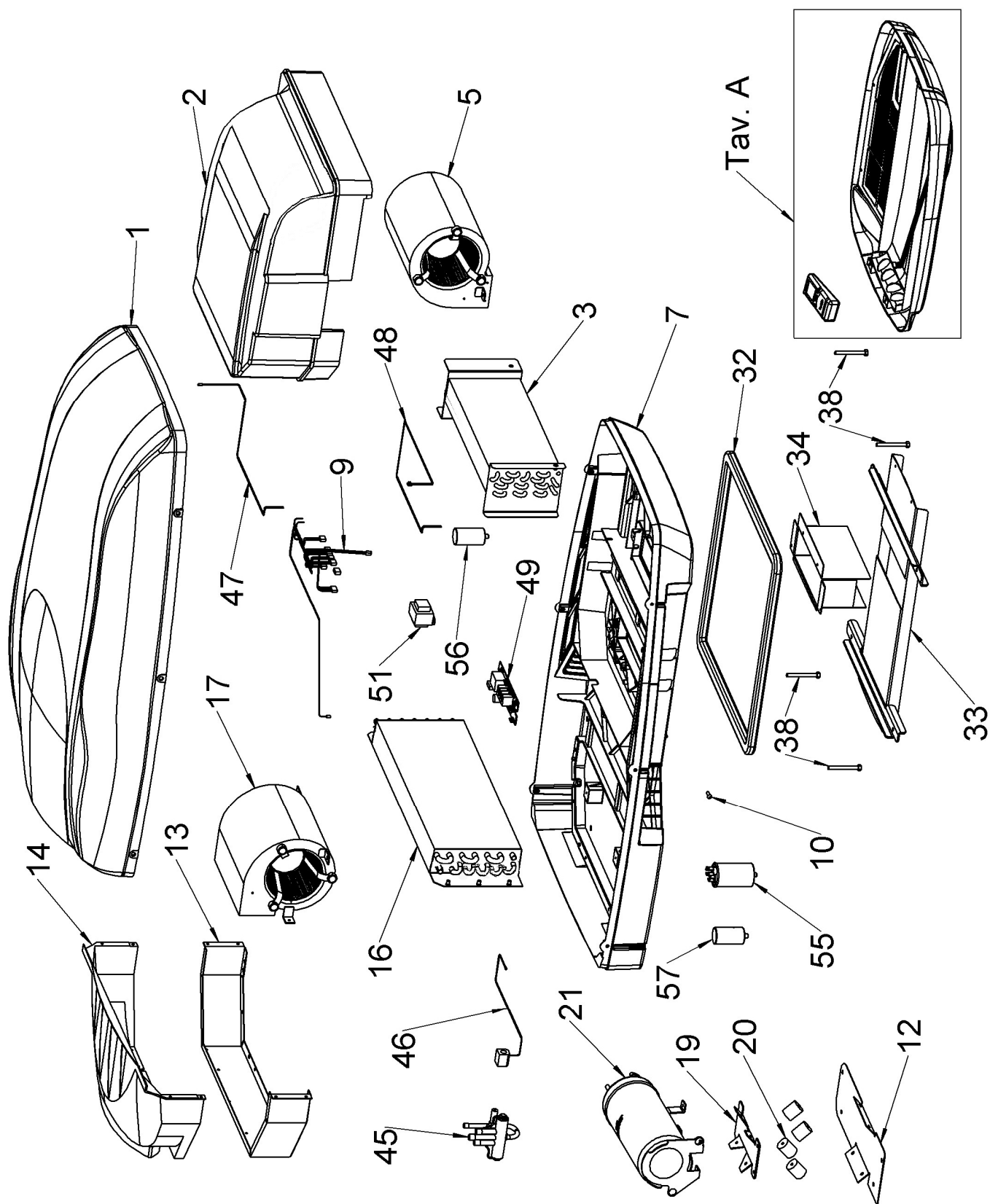
In any case, the purchaser shall not be entitled to:

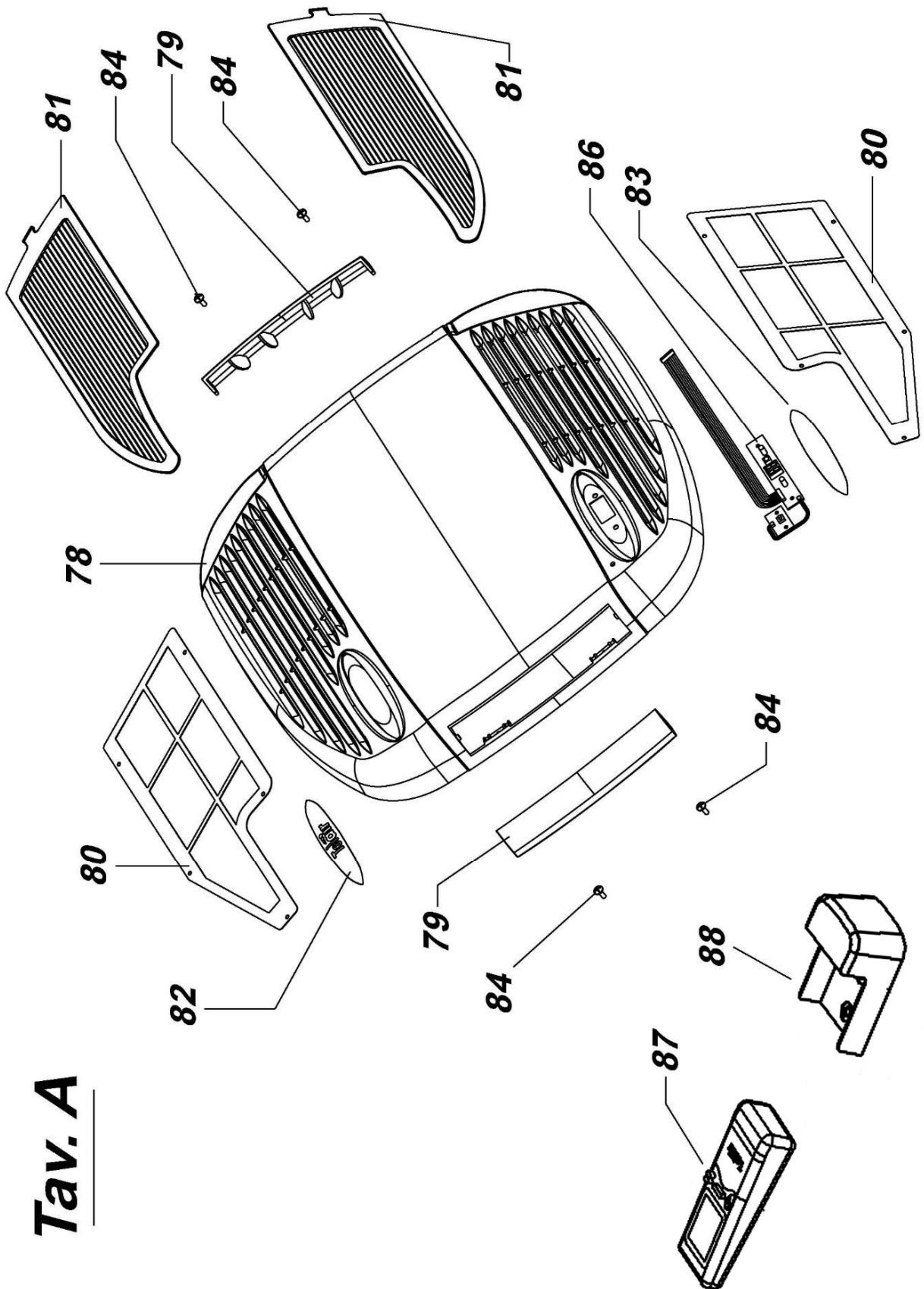
- terminate the contract;
- claim damages to persons or property;
- ask that the warranty be extended in the event of product defects or malfunctioning.

WIRING DIAGRAM



SPARE PARTS LIST





Tav. A

Pos/Code/Q.tà	Descrizione/Description	Désignation/Bezeichnung	Beschrijving/Descripción
1 / 06192 / n.1	Coperchio superiore Top lid	Couvercle supérieur Obere Abdeckung	Bovenste afdekking Tapa superior
2 / 06256 / n.1	Coperchio dell'evaporatore Evaporator cover	Couvercle de l'évaporateur Deckel des Verdampfers	Deksel van de verdamper Tapa del evaporador
3 / 06314 / n.1	Gruppo Evaporatore Evaporator unit	Unité d'évaporation Verdampereinheit	Verdamper Unidad Evaporador
5 / 05660 / n.1	Ventilatore Evaporante Evaporator Fan	Ventilateur l'évaporateur Lüfter des Verdampfers	Ventilator van de verdamper Ventilador de evaporador
7 / 03643 / n.1	Fondo grigio antracite Anthracite grey bottom	Fond gris anthracite Kunststoffbasis, Anthrazitgrau	Onderkant antracietgrijs Fondo gris marengo
9 / 03479 / n.1	Cablaggio elettrico Electrical wiring	Câblage électrique Verkabelung	Elektrische bedrading Cableado eléctrico
10 / 06113 / n.6	Rivetto di fissaggio coperchio Rivet for Top lid	Rivet pour Couvercle supérieur Niete für Obere Abdeckung	Klinknagel voor Bovenste afdekking Remache para Tapa superior
12 / 03485 / n.1	Staffa base compressore Stirrup compressor support	Étrier de support compresseur Grundplatte Kompressor	Bodemplaat compressor Abrazadera soporte compresor
13 / 06180 / n.1	Scatola condensatore Condenser box	Boîte de condensateur Kondensatorkasten	Doos van de condensator Caja del condensador
14 / 06181 / n.1	Coperchio del condensatore Condenser cover	Couvercle du condenseur Deckel des Kondensators	Deksel van de condensator Tapa del condensador
16 / 06313 / n.1	Gruppo condensante Condenser unit	Groupe de condensation Kondensatoreinheit	Condensatie unit Unidad de condensacion
17 / 06183 / n.1	Ventilatore Condensante Condenser Fan	Ventilateur de condenseur Lüfter des Kondensators	Ventilator van de condensator Ventilador del condensador
19 / 03484 / n.1	Staffa fissaggio compressore Compressor fastening bracket	Étrier de fixation compresseur Befestigungsbügel Kompressor	Bevestigingsbeugel voor de compressor Abrazadera de fijación del compresor
20 / 03486 / n.4	Antivibrante per compressore Vibration damper for compressor	Antivibration pour compresseur Schwingungs dämpfer für Kompressor	Trillingsdempers voor compressor Anti-vibrador por compresor
21 / 05044 / n.1	Compressore rotativo Sliding-vane compressor	Compresseur rotatif Kapselkompressor	Roterende compressor Compresor rotatorio
32 / 03497 / n.1	Guarnizione toroidale Aerstop Toroidal gasket Aerstop	Joint d'étanchéité toroïdal Aerstop Ringkern Dichtung Aerstop	Toroidal afdichting Aerstop Anillo tórico Aerstop
33 / 03499 / n.1	Tunnel fissaggio condizionatore Air-conditioner fastening tunnel	Goulotte de fixation climatiseur Befestigungstunnel für Klimaanlage	Bevestigingstunnel voor airconditioner Túnel de fijación acondicionador
34 / 03498 / n.1	Condotto uscita aria Duct air outlet	Conduite de sortie de l'air Luft Ausgangskanal	Kanaal luchtuitlaat Conducto de salida por l'aire
38 / 05522 / n.4	Vite di fissaggio M6x100 Fixing screw M6x100	Vis de fixation M6x100 Befestigungsschraube M6x100	Bevestigingsschroef M6x100 Tornillo de implantaciones M6x100
45 / 05022 / n.1	Elettrovalvola 4 vie 4-way solenoid valve	Électrovanne à 4 voies Magnetventil 4-Wege	4-weg magneetventiel Electroválvula de 4 vías

Pos/Code/Q.tà	Descrizione/Description	Désignation/Bezeichnung	Beschrijving/Descripción
46 / 03475 / n.1	Bobina per Elettrovalvola 4vie Coil for 4-way solenoid valve	Bobine pour électrovanne 4 voies Spule für 4-Wege-Magnetventil	Spoel voor 4-weg magneetventiel Bobina para electroválvula de 4 vías
47 / 03501 / n.1	Sonda Antighiaccio evaporatore Anti-icing probe for evaporator	Sonde anti-givrage pour l'évaporateur Fühler Anti-Eis für Verdampfer	Anti-ijs probe van de verdamper Sonda anti-hielo del evaporador
48 / 03502 / n.1	Sonda Antighiaccio condensatore Anti-icing probe for condenser	Sonde anti-givrage pour le condensateur Fühler Anti-Eis für Kondensatoreinheit	Anti-ijs probe van de condensator Sonda anti-hielo del condensador
49 / 06040 / n.1	Scheda Elettronica Comando Electronic Card	Carte électronique Karte elektronisch	Elektronische kaart Tarjeta electrónica
51 / 02487 / n.1	Trasformatore Transformer	Transformateur Transformator	Transformator Transformador
55 / 03504 / n.1	Condensatore 20uF 450V Capacitor 20uF 450V	Condensateur 20uF 450V Kondensator 20uF 450V	Condensator 20uF 450V Condensador 20uF 450V
56 / 03505 / n.1	Condensatore 3uF 450V Capacitor 3uF 450V	Condensateur 3uF 450V Kondensator 3uF 450V	Condensator 3uF 450V Condensador 3uF 450V
57 / 04417 / n.1	Condensatore 5uF 450V Capacitor 5uF 450V	Condensateur 5uF 450V Kondensator 5uF 450V	Condensator 5uF 450V Condensador 5uF 450V
78 / 03511 / n.1	Diffusore aria Air diffuser	Diffuseur de l'air Diffusor für Luft	Diffuser voor de lucht Difusor de aire
79 / 03512 / n.2	Aletta per diffusore Fin for air diffuser	Ailette pour le diffuseur de l'air Flossen für Luftverteiler	Vin voor de lucht diffuser Aletas para el difusor de aire
80 / 03509 / n.2	Staffa guida filtro aria Frame for air filter	Guide pour le filtre de l'air Führungsbügel für den Luftfilter	Gids voor het luchtfilter Guía para el filtro de aire
81 / 03510 / n.2	Filtro aria Air filter	Filtre de l'air Luftfilter	Luchtfilter Filtro de l'aire
82 / 03492 / n.1	Targa trasparente Telair Transparent plate Telair	Plat transparent Telair Durchsichtige Platte Telair	Trasparente plaat Telair Placa transparent Telair
83 / 03491 / n.1	Targa trasparente ricevitore Transparent plate for the receiver	Plat transparent pour le récepteur Durchsichtige Platte für den Empfänger	Trasparente plaat voor de ontvanger Placa transparent para el receptor
84 / 03409 / n.4	Vite di fissaggio diffusore Fixing screw for diffuser	Vis de fixation pour diffuseur Befestigungsschraube für Diffusor	Bevestigingsschroef voor diffuser Tornillo de fijación para difusor
86 / 03489 / n.1	Ricevitore del Telecomando Receiver for the remote control	Récepteur pour le Télécommande Empfänger für die Fernbedienung	Ontvanger voor de afstandsbediening Receptor para el mando a distancia
87 / 06193 / n.1	Telecomando Remote control	Télécommande Fernbedienung	Afstandsbediening Mando a distancia
88 / 06145 / n.1	Porta-Telecomando Holder for remote control	Support pour la télécommande Fernbedienungshalter	Behuizing voor afstandsbediening Alojamiento para el mando a distancia



Seguici su Facebook

www.facebook.com/pages/Telecogroup/213241202111442



ITALY

Via E. Majorana 49
48022 LUGO (RA)
Tel. + 39 0545 25037
Fax. + 39 0545 32064
mail: info@telecogroup.com
www.telecogroup.com
Assistenza 899 899 856



DEUTSCHLAND

82041 Deisenhofen
Tel. 08031 98939
Fax 08031 98949
telecogmbh@telecogroup.com
www.telecogroup.com



FRANCE

3, Impasse des Iles
ZA La Maladière
07300 St Jean de Muzols
mail: contact@telecogroup.fr
www.telecogroup.fr



ITALY

Via E. Majorana 49
48022 LUGO (RA)
Tel. + 39 0545 25037
Fax. + 39 0545 32064
mail: telair@telecogroup.com
www.telecogroup.com

IN EUROPE:

GREAT BRITAIN - SCAN TERIEUR LTD
30, The Metro Centre, Tolpits Lane - Watford,
Herts - England - WD18 9XG
Tel. 01923 800353 - Fax 01923 220358
e-mail: info@scan-terieur.com
www.scan-terieur.com

THE NETHERLANDS/BELGIUM/LUXEMBOURG/DENMARK/SWEDEN
KARMAN TRADING
Tel. +31 (0) 341 722450 - Fax +31 (0) 341 722451
e-mail: info@karmantrading.eu
www.karmantrading.eu

FRANCE - TELECO SAS
3, Impasse des ILES - ZA La Maladière
07300 St Jean de Muzols - France
Tél. 04 75 08 49 17 - Fax 09 70 32 83 00
contact@telecogroup.fr
www.telecogroup.fr

SERVICE COMMERCIAL:
Jean-Philippe Bleys
Tél. 02 48 58 03 67 - Fax. 02 48 58 35 85
teleco.telair@bleysetd.com
Service Technique:
Tél. 06 83 31 44 05 ou 04 75 08 28 25



ESPAÑA - ADD SICMAP S.L.
EVA Caravan - Via Sergia 92
Pol. Ind. Pla d'en Boet II
08302 MATARÓ (Barcelona)
Tel. 93 790 35 26 - Fax. 93 796 21 17
e-mail: info@addsicmap.com

Servicio técnico: Fills de Rocha i Lopez, S.L.
C/Goya, 4 - 08903 L'Hospitalet de Llobregat - Barcelona
Tel. 933 333 753 Fax 933 337 236
fillsrocha@fillsrocha.com

ÖSTERREICH - TELECO GmbH
82041 Deisenhofen - Deutschland
Tel. 0049 8031 98939 - Fax. 0049 8031 98949
telecogmbh@telecogroup.com
www.telecogroup.com
SERVICE 0900 94 94 70

DEUTSCHLAND - TELECO GmbH
82041 Deisenhofen
Tel. 08031 98939 - Fax 08031 98949
telecogmbh@telecogroup.com
www.telecogroup.com

Vertretung:
Zimmer - Technik für Mobile Freizeit
Raiffeisenstr. 6 - 64347 Griesheim
Tel. 06155 797873 - Fax 06155 797871
info@zimmer-mobiltechnik.de
SERVICE 08921129995